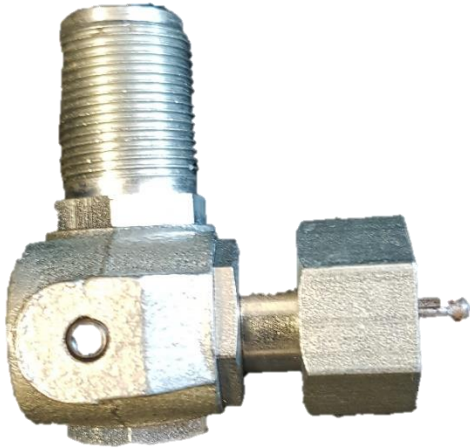


RIGHT ANGLE DRIVE

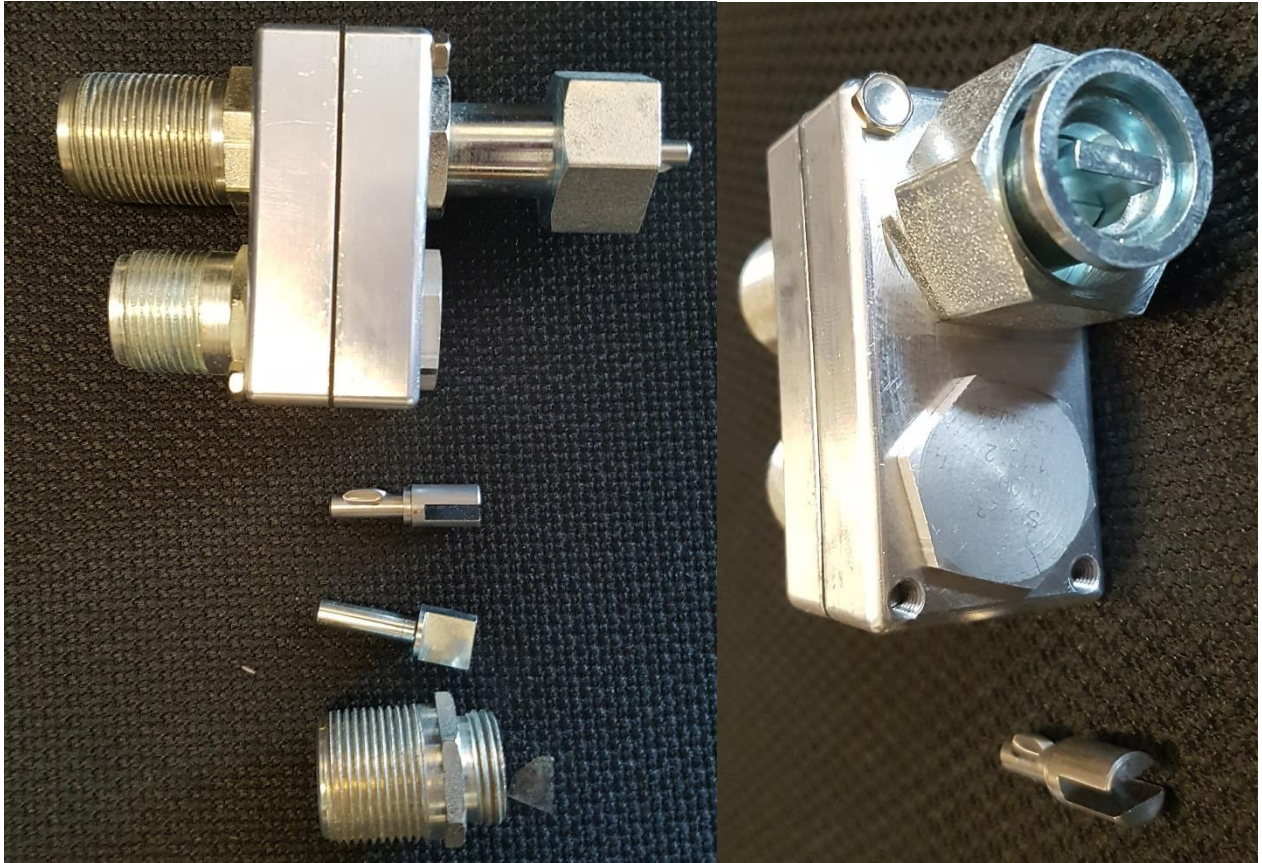
Ratio as needed – specify input and output



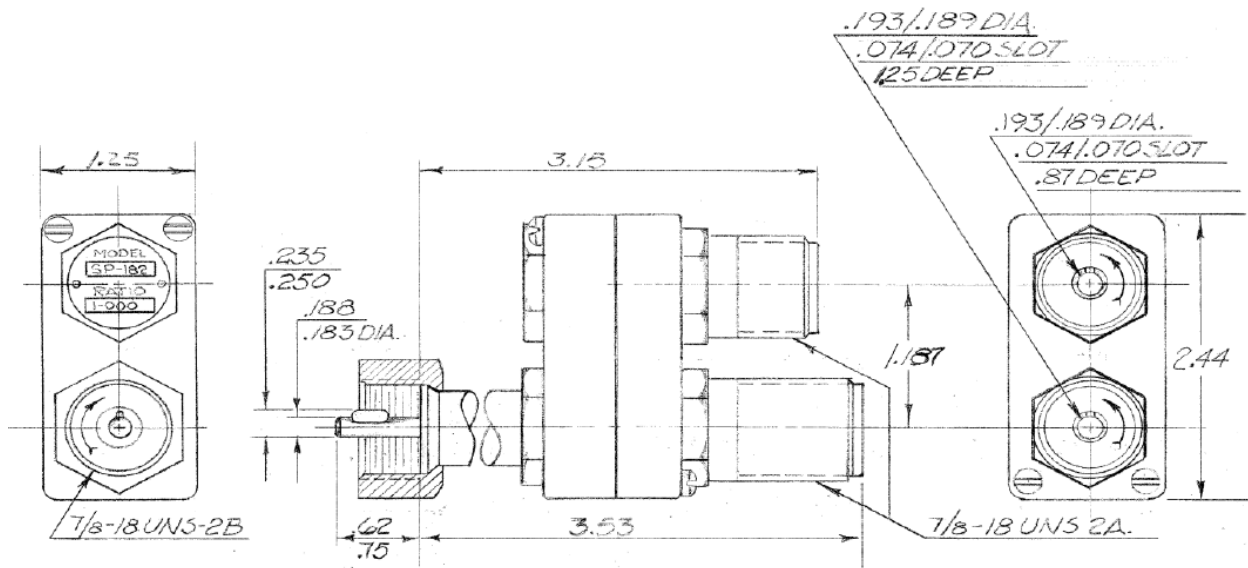
Arch Oil Tools Heavy-Duty RA Drive available in all ratio's.

End connector threads and drive pins can be changed to match customer requirements.

SPLITTER – 1:1:1



Arch Oil Tools Heavy-Duty Splitter Drive is completely configurable for input and output pins as well as end connections. In order to standardize, this comes in 1:1:1 ratio and an additional RA or Straight-through adapter with the desired ratio can be added to one of the outputs.



The Splitter Drive is shown below with an RA Adapter added to one of the output ports. The second port will normally connect to a drive cable or a different adapter for a secondary output.

